

WHEEL BALANCERS

geodyna®  
WHEEL BALANCERS

7100  
7200



**HOFMANN**® 



Smart Sonar™

### Smart Sonar™

Automatic rim width acquisition via Smart Sonar™ (geodyna® 7200s only) together with rim diameter and offset measurement via 2D-SAPE make this balancer the ideal solution for high-volume workshops.

### Short balancing cycle

Extremely short balancing cycle (start/stop) of 4.5 sec.

### Touch panel

Easy to operate with a comfortable touch panel.



Gauge arm

### SILVER user interface

This graphical user interface allows fast and intuitive selection of the balancing modes.

### Gauge arm

Semi-automatic data entry and positioning of adhesive weights.

### VPM

Measurement technique for uncompromised accuracy.

### easyALU™

Semi-automatic selection of balancing modes (Alu or steel rim).



Touch panel



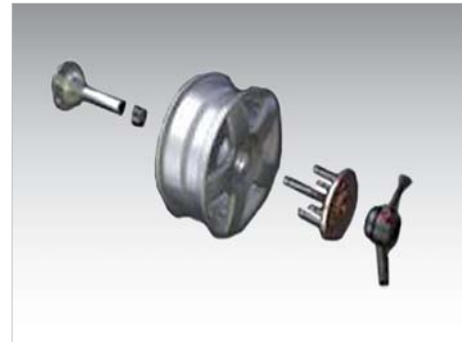


### Features of the geodyna® 7100

- Intuitive LED display
  - Semi-automatic input of rim diameter and offset with gauge arm
  - Manual input of rim width
  - Imbalance optimisation program
  - Imbalance minimisation program
  - Constant rotational speed
  - QuickBAL™ for reduced cycle time
  - Split weight mode
  - The pedal-operated mechanical lock firmly holds the wheel in every position
- geodyna® 7100n:** without wheel guard  
**geodyna® 7100m:** with motorcycle wheel adaptor instead of quick nut – for balancing of motorcycle wheels

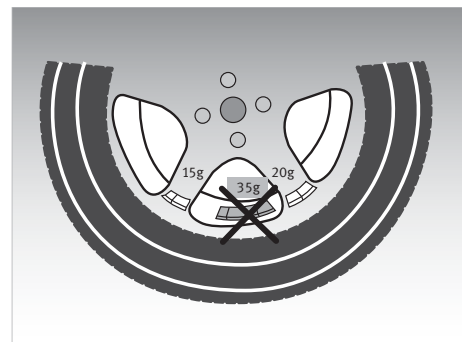
### Features of the geodyna® 7200

- 19" TFT monitor with intuitive SILVER user interface
  - Semi-automatic input of rim diameter and offset with gauge arm
  - Manual input of rim width
  - Imbalance optimisation program
  - Imbalance minimisation program
  - Constant rotational speed
  - easyALU™ for semi-automatic selection of balancing modes
  - QuickBAL™ for reduced cycle time
  - Split weight mode
  - The pedal-operated mechanical lock firmly holds the wheel in every position
- geodyna® 7200s:** with Smart Sonar™ for automatic and non-contact detection of rim width



### Oversize shaft

The shaft of 225 mm allows the use of stud-hole flanges and other accessories for almost every type of rim.



### Split weight mode

Hides adhesive weights behind two adjacent spokes so they cannot be seen from the outside.



7100  
7200



geodyna®

WHEEL BALANCERS

TECHNICAL DATA		GEODYNA® 7100 / 7100N / 7100M	GEODYNA® 7200 / 7200S
Vehicles supported		Passenger car / Light truck / SUV / Off-road / Motorcycles (needs adaptors)	Passenger car / Light truck / SUV / Off-road / Motorcycles (needs adaptors)
Measuring speed	rpm	< 100	< 200
Balancing accuracy	g	1	1
Angular resolution	°	0.7	0.7
Start/Stop time (wheel 195/65R15)	s	6	4.5
<b>Semi-automatic data entry (SAPE)</b>			
Rim diameter	inch	8 – 25	8 – 25
Rim width	inch	–	– / 3 – 15
<b>Manual data entry</b>			
Rim diameter	inch	8 – 32	8 – 32
Offset	inch	1 – 20	1 – 20
Rim width	inch	1 – 20	1 – 20
<b>Maximum wheel dimensions</b>			
Max. wheel diameter	mm	960 / 960 / –	1050
Wheel width	mm	76 – 508	76 – 508
Max. wheel weight	kg	70	70
Diameter of shaft	mm	40	40
Length of shaft	mm	225	225
Wheel lift max. load	kg	70	70
Power supply		230V1ph 50/60Hz	230V1ph 50/60Hz
Dimensions L x W x H (Wheel guard open)	mm	1100 x 1005 x 1711 / 690 x 450 x 977 / 1100 x 1005 x 1711	1012 x 781 x 1834
Net weight	kg	70 / 60 / 70	82

FEATURES	GEODYNA® 7100 / 7100N / 7100M	GEODYNA® 7200 / 7200S
Vibratory system technology	VPM with integrated flange	VPM with integrated flange
Wheel clamping	Quick nut	Quick nut
Wheel guard	• / – / •	•
Cycle start	Automatic (wheel guard) / Start key / Automatic (wheel guard)	Automatic (wheel guard) / Start key / Automatic (wheel guard)
Wheel braking after measurement	Automatic with current injection	Automatic with current injection
Wheel lift type	Optional BW 2010	Optional BW 2010
Balancing program selection	Manual	Semi-automatic – easyALU™
Smart Sonar™		– / •
Split weight	•	•
Minimisation	•	•
Optimisation	•	•
Main shaft lock	Mechanical	Mechanical
Self-calibration	•	•

**EMEA-JA**  
Snap-on Equipment s.r.l. - Via Prov. Carpi, 33 - 42015 Correggio (RE)  
Phone: +39 0522 733-411 - Fax: +39 0522 733-479 - www.hofmann-europe.com

**Austria**  
Snap-on Equipment Austria GmbH - Hauptstrasse 24/Top 14 - A-2880 St. Corona/Wechsel (RE)  
Phone: +43 1 865 97 84 - Fax: +43 1 865 97 84 29 - www.hofmann-europe.com

**France**  
Snap-on Equipment France - ZA du Vert Galant - 15, rue de la Guivernone BP 97175  
Saint-Ouen-l'Aumône - 95056 Cergy-Pontoise CEDEX  
Phone: +33 134 48 58-78 - Fax: +33 134 48 58-70 - www.hofmann-france.fr

**Germany**  
Snap-on Equipment GmbH - Konrad-Zuse-Straße 1 - 84579 Unterneukirchen  
Phone: +49 8634 622-0 - Fax: +49 8634 5501 - www.hofmann-deutschland.com

**Italy**  
Snap-on Equipment s.r.l. - Via Prov. Carpi, 33 - 42015 Correggio (RE)  
Phone: +39 0522 733-411 - Fax: +39 0522 733-410 - www.hofmann-italia.com

**United Kingdom**  
Snap-on Equipment Ltd. - Unit 17 Denney Road, King's Lynn - Norfolk PE30 4HG  
Phone: +44 118 929-6811 - Fax: +44 118 966-4369 - www.snapon-equipment.co.uk

